



Valves & Technology

PNEUMATIC ACTUATORS ACT-1200

PDS-AC-1200 Rev. 7



Manufacturing program:

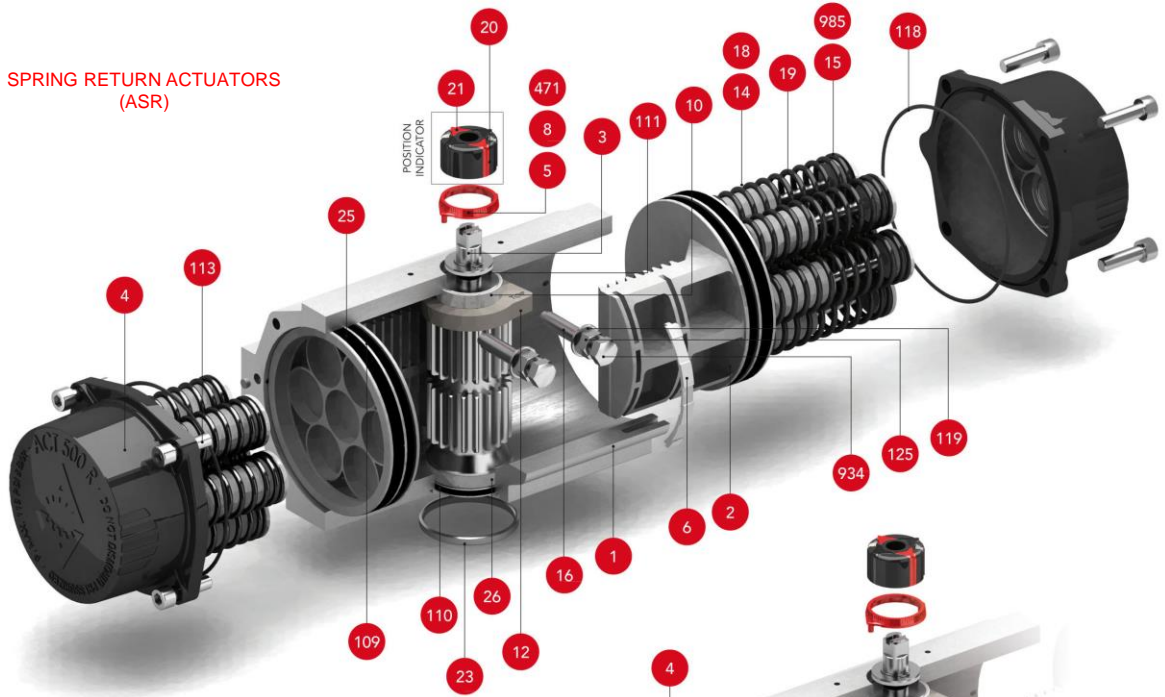
Ex II 2 G D c – LCIE 05 AR 022

Quality & Environmental Management:



TECHNICAL FEATURES

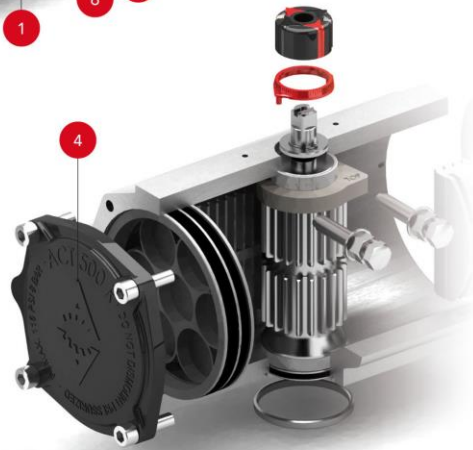
SPRING RETURN ACTUATORS (ASR)



POSITION INDICATOR



DOUBLE ACTING ACTUATORS (ADA)



PARTS & MATERIALS

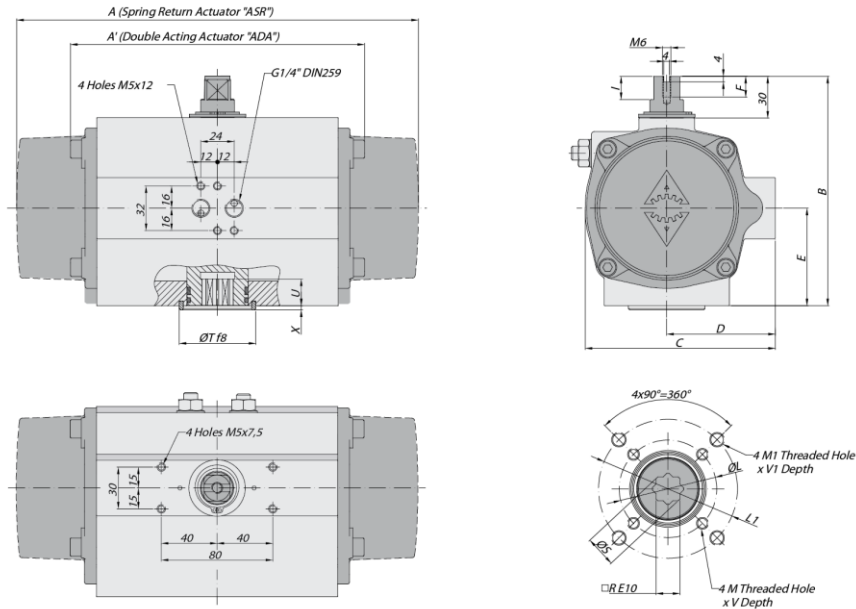
Item	Description	Material	Item	Description	Material
1	Body	Aluminium Hard Anodized	23	Centering Ring	Nickel Plated Carbon Steel
2	Piston	Aluminium	24	Plug Air Stop	NBR
3	Pinion	Nickel Plated Carbon Steel	25	Slide Guide	Polyamide PA 6.6 + 30% G.F.
4	End Caps	Aluminium Epoxy Coated	26	Lower Pinion Bearing	Hostalen RCH 1000
5	Soft Pinion Washer	Polyamide PA 6.6	109	O-Ring	NBR
6	Slide piston	Polyamide PA 6.6 + 30% G.F.	110	O-Ring	NBR
8	Pinion Washer	Stainless Steel	111	O-Ring	NBR
10	Upper Pinion Bearing	Hostalen RCH 1000	113	Bolt	Stainless Steel
12	Stop	ASTM A-105	118	O-Ring	NBR
14	(*) Spring's Long Support	Polyamide PA 6.6	119	O-Ring	NBR
15	(*) Spring's short Support	Polyamide PA 6.6	125	Washer	Stainless Steel
16	Levelling Screw	Stainless Steel	913	Set Screw	Stainless Steel
18	(*) Bolt	Stainless Steel	471	External Circlip	Stainless Steel
19	(*) Spring	DIN 2076 -D-5.6	934	Nut	Stainless Steel
20	Position Indicator	Polyamide	985	(*) Nut	Stainless Steel
21	Cam	Polyamide			

(*) Only for serie ASR.



PNEUMATIC ACTUATORS · ACT-1200

Dimensions, general characteristics & torque



DIMENSIONS

A	A'	B	C	D	E	F	I	R	ØS	ISO 5211	ØL	M x v	ISO 5211	ØL1	M1 x V1	ØT	X	U
560	439	249	212,5	116	114	16	18,6	36	48,5	F10	102	M10x17	F14	140	M16x26	100	4	48
560	439	249	212,5	116	114	16	18,6	36	48,5	F10	102	M10x17	F12	125	M12x20	100	4	48

(*) Dimensions in mm.

GENERAL CHARACTERISTICS

DESIGN STANDARDS	Serie ADA	Actuator	Double	Acting
	Serie ASR	Actuator	Spring	Return
Mounting of solenoid valves	NAMUR Std.			
Mounting of devices	NAMUR VDI			
Coupling according	ISO 5211			
Marking	Ex II 2 G D c LCIE 05 AR 022			
		DIN 3337		
		According to EN 15714-3		

TESTS AND CERTIFICATES

Quality assurance		ISO 9001		Safety Integral level 3 (SIL3)							
Max. Pressure	Rotation	Screw stroke Adjustment	Chamber Ø (mm)	Air Volume (L)		Stroke Time Sec. (A)		Operating Temperature (°C)			
				Opening	Closing	Opening	Closing	STD (standard)	HT (high temp.)	LT (low temp.)	EL (extreme low)
8 bar	90° ±5°	For 1° Need ¼ Turn	180	6,95	4,64	D 1,2	D 1,5	NBR O-Ring	FPM O-Ring	Silicone	Silicone
						S 2,2	S 2,8	-30° to +100°	-15° to +150°	-40° to +80°	-60° to +80°

DOUBLE ACTING ACTUATOR "ADA" TORQUE OUTPUT IN Nm

TYPE	Output Torque For Double Acting in Nm												Weight (Kg)									
	3 bar		3,5 bar		4 bar		4,5 bar		5 bar		5,5 bar			6 bar (A)		6,5 bar		7 bar		8 bar		
Pressure	0°	90°	0°	90°	0°	90°	0°	90°	0°	90°	0°	90°	0°	90°	0°	90°	0°	90°	0°	90°	0°	90°
D	519		606		692		779		865		952		1038		1125		1211		1384		25,8	

SPRING RETURN ACTUATOR "ASR" TORQUE OUTPUT IN Nm

TYPE	Output Torque for Spring Return in Nm												Spring stroke		Weight (Kg)								
	3 bar		3,5 bar		4 bar		4,5 bar		5 bar		5,5 bar		6 bar (A)			6,5 bar		7 bar		8 bar			
Pressure	0°	90°	0°	90°	0°	90°	0°	90°	0°	90°	0°	90°	0°	90°	0°	90°	0°	90°	0°	90°	END	STAR	
S06	373	289	460	376	546	462	633	549	720	635	806	722	893	808	979	895	1066	981	1239	1154	171	271	30,1
S08	325	213	411	299	498	386	584	472	671	559	758	645	844	732	931	818	1017	905	1190	1078	229	361	31,1
S10	276	136	363	222	449	309	536	395	622	482	709	569	795	655	882	742	969	828	1142	1001	286	451	32,2
S12					401	232	487	319	574	405	660	492	747	578	833	665	920	751	1093	924	343	541	33,2
S14 (A)									525	329	612	415	698	502	785	588	871	675	1044	848	400	631	34,3

(A) Standard construction.



TTV, S.A.U. (Headquarters)
C/ Severo Ochoa, 11
Pol. Ind. Ntra. Sra. de Butarque
28914 Leganés
Madrid - Spain
Phone +34 916 857 365
info@ttv.es

For further information visit our website
www.ttv.es