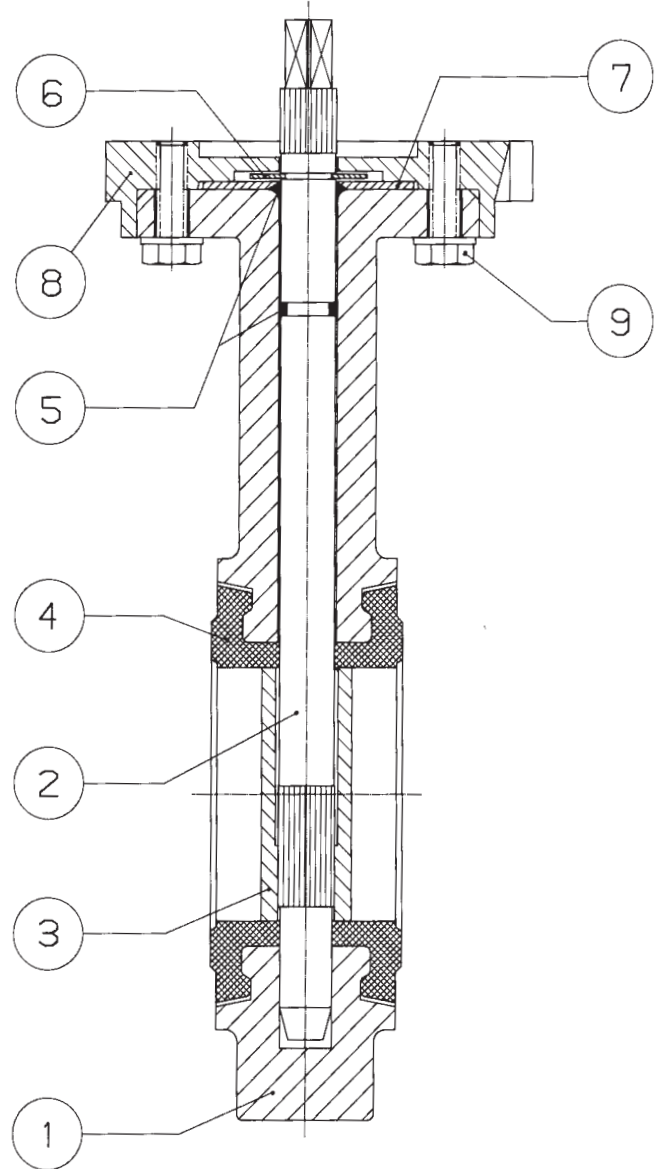




High abrasion resistant butterfly valve for slurry applications & abrasive media.

# SLURAX



- |                 |   |
|-----------------|---|
| 1) Body         | - Ductile Iron  |
| 2) Shaft        | - 316 SS  |
| 3) Disc         | - 316 SS / Tungsten Carbide                             |
| 4) Elastic Ring | - Chrome Carbide / High Abrasive Resistant Polyurethane |
| 5) O-Ring       | - Nitrile   |
| 6) Circlip      | - 420 SS  |
| 7) Washer       | - 420 SS  |
| 8) Flange       | - Ductile Iron  |
| 9) Bolt         |   |

# High abrasion resistant butterfly valve for slurry applications & abrasive media.

# SLURAX

The TTV SLURAX Valves are designed for high abrasion & chemical resistance. Our Design of the valve components increase the valve lifespan for severe slurry & abrasive liquids & powders

VALVES DIMENSIONS														PN 10		PN 16		ANSI150		
DN		A	B	C	D	E	F	G	H	J	L	N°XM	P	WEIGHT	K	HOLES	K	HOLES	K	HOLES
MM	"															N° x T		N° x T		N° x T
<b>FIG. 1 DN32-400</b>																				
32	1 1/4"	206	140	82	88	33	10.5	30	24	8	70	4x9	17	2	100	4x18	100	4x18	88.9	4x16
40	1 1/2"	206	140	82	88	33	10.5	30	24	8	70	4x9	17	2	110	4x18	110	4x18	98.5	4x16
50	2"	228	156	102	88	43	10.5	30	24	8	70	4x9	17	3.5	125	4x18	125	4x18	120.6	4x19
65	2 1/2"	243	162	119	88	46	14.5	30	24	9	70	4x9	17	4.5	145	4x18	145	4x18	139.7	4x19
80	3"	266	170	135	88	46	16.5	30	24	11	70	4x9	17	5	160	4x18	160	4x18	152.4	4x19
100	4"	294	185	155	88	52	16.5	30	24	11	70	4x9	17	6.5	180	4x18	180	4x18	190.5	4x19
125	5"	324	207	185	105	56	18.5	30	24	14	70	4x9	17	8	210	4x18	210	4x18	215.9	4x23
150	6"	349	216	208	105	56	18.5	30	24	14	70	4x9	17	9	240	4x23	240	4x23	241.3	4x23
200	8"	438	256	270	105	60	22.5	30	24	17	70	4x9	17	15	295	4x23	295	4x23	298.5	4x23
250	10"	461	248	328	150	68	25.5	40	20	19	102	4x11	20	21.5	350	4x23	355	4x27	362.0	4x26
300	12"	523	280	381	150	78	30.5	40	20	22	102	4x11	20	30	400	4x23	410	4x27	431.8	4x26
350	14"	582	300	437	170	78	30.5	40	20	22	140	4x18	20	39	460	4x23	470	4x27	476.3	4x29
400	16"	645	340	486	170	102	35.5	40	20	27	140	4x18	20	52	515	4x27	525	4x30	539.8	4x29

