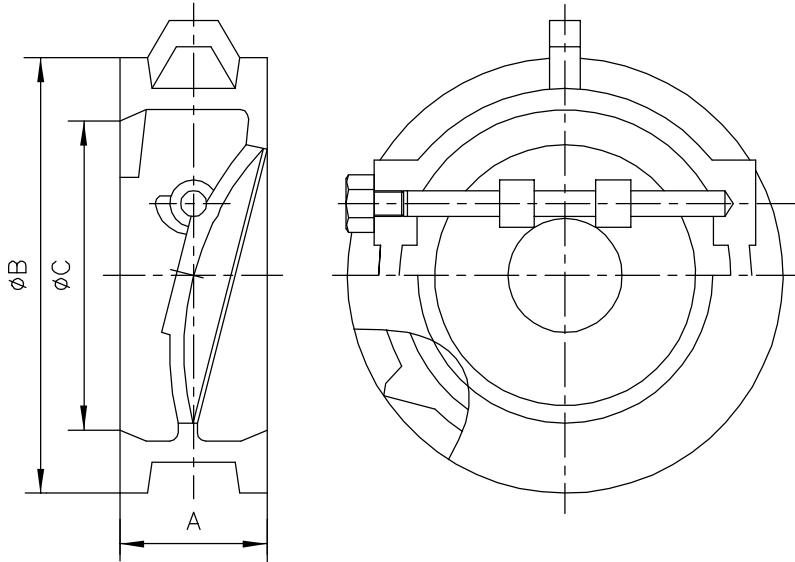


WAFER TILTING CHECK VALVES – CLASS 150~300#

Size range: 2" to 54"



STANDARDS:	
Design	API 6D & API 594
Test	API 598
Face to Face Dimensions	API 594
End Flange Dimensions	ANSI B16.5

DIMENSIONS AND WEIGHTS

Size	CLASS	A	B	C	Weight LBS. KGS
2"	150	2.38	4.12	2.37	5.8
	PN20	60.4	104.6	60	2.65
	300	2.38	4.37	2.37	6.2
2.5"	PN50	60.4	111	60	2.8
	150	2.62	4.87	2.87	8.4
	PN20	66.5	123.7	73	3.8
3"	300	2.62	5.12	2.87	10
	PN50	66.5	130	73	4.5
	150	2.88	5.37	3.5	12
4"	PN20	73.1	136.5	89	5.5
	300	2.88	5.87	3.5	14
	PN50	73.1	149	89	6.3
5"	150	2.88	6.88	4.5	16
	PN20	73.1	174.7	114.3	7.3
	300	2.88	7.12	4.5	17
6"	PN50	73.1	180.8	114.3	7.7
	150	3.37	7.75	5.56	20.5
	PN20	85.6	196.8	141.2	9.3
8"	300	3.37	8.5	5.56	29
	PN50	85.6	215.9	141.2	13.2
	150	3.88	8.75	6.62	29
10"	PN20	98.5	222.2	168.1	13.1
	300	3.88	9.88	6.62	42
	PN50	98.5	250.9	168.1	19
12"	150	5	11	8.62	65.4
	PN20	127	279.4	218.9	29.7
	300	5	12.12	8.62	74.2
14"	PN50	127	307.8	218.9	33.7
	150	5.75	13.37	10.75	90
	PN20	146	339.6	273	41
16"	300	5.75	14.25	10.75	112
	PN50	146	361.9	273	51
	150	7.12	16.12	12.75	157
18"	PN20	180.8	409.4	323.8	71.3
	300	7.12	16.62	12.75	175
	PN50	180.8	422.1	323.8	79.5
20"	150	7.25	17.75	14	178
	PN20	184.1	450.8	355.6	81
	300	8.75	19.12	14	280
24"	PN50	222.2	485.6	355.6	127

DIMENSIONS AND WEIGHTS

Size	CLASS	A	B	C	Weight LBS. KGS
16"	150	7.5	20.25	16	221
	PN20	190.5	514.3	406.5	100
	300	9.12	21.25	16	390
18"	PN50	231.6	539.7	406.5	177
	150	8	21.62	18	275
	PN20	203.2	549.1	457.2	125
20"	300	10.38	23.5	18	490
	PN50	263.6	596.9	457.2	223
	150	8.62	23.87	20	342
24"	PN20	218.9	606.4	508	155
	300	11.5	25.75	20	710
	PN50	292.1	654	508	322
30"	150	8.75	28.25	24	502
	PN20	222.2	717.5	610	228
	300	12.5	30.5	24	1110
36"	PN50	317.5	774.7	610	504
	150	12	34.75	30	1046
	PN20	304.8	882.6	762	475
42"	300	14.5	37.5	30	2037
	PN50	368.3	952.5	762	925
	150	14.5	41.25	36	1553
48"	PN20	368.3	1047.7	914	705
	300	19	44	36	3350
	PN50	482.6	1117.6	914	1521
54"	150	17	48	42	2533
	PN20	431.8	1219.2	1067	1150
	300	22.38	(1) 50.75	42	5462
54"	PN50	568.4	(1) 1289	1067	2480
	150	20.62	54.5	48	3745
	PN20	523.7	1384.3	1219.2	1700
54"	300	24.75	(1) 53.88	48	6500
	PN50	628.6	(1) 1368.5	1219.2	2951
	150	23	(1) 57.5	54	4987
54"	PN20	584	(1) 1460	1372	2264

NOTE:

- 一、Data on other sizes and classes available under request.
- 二、(1)Dimensions to fit between flanges acc. to API 605.