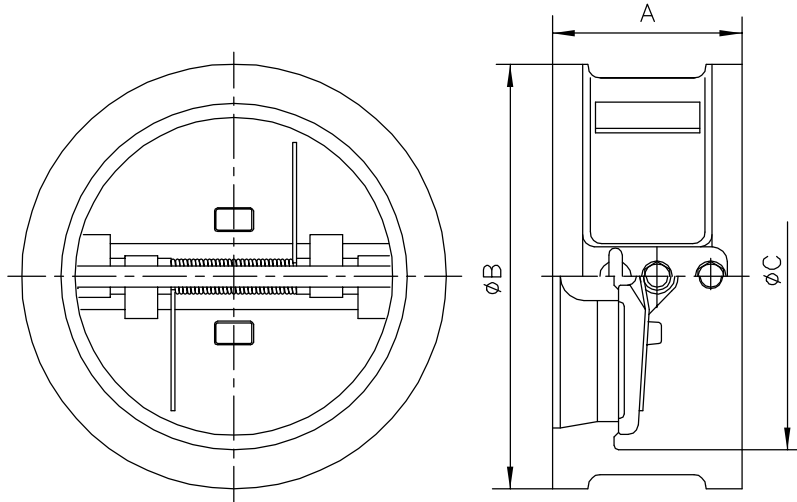


WAFER CHECK VALVES – CLASS 125~2500#

Size range: 8" to 18"



STANDARDS:

Design	API 6D & API 594
Test	API 598
Face to Face Dimensions	API 594
End Flange Dimensions	ANSI B16.5

DIMENSIONS AND WEIGHTS

Size	CLASS	A	B	C	Weight LBS. KGS
8"	125	5	11	8.62	65.4
	PN10	127	279.4	218.9	29.7
	150	5	11	8.62	65.4
	PN20	127	279.4	218.9	29.7
	250	5	12.12	8.62	74.2
	PN25	127	307.8	218.9	33.7
	300	5	12.12	8.62	74.2
	PN50	127	307.8	218.9	33.7
	600	6.5	12.62	8.62	112
	PN100	165.1	320.5	218.9	50.8
	900	8.12	14.12	8.62	180
	PN150	206.2	358.6	218.9	81.8
	1500	8.12	13.88	8.62	229
	PN250	206.2	352.5	218.9	104
	2500	8.12	15.25	8.62	319
	PN420	206.2	387.3	218.9	145
10"	125	5.5	13.38	10.75	86
	PN10	139.7	339.8	273	39
	150	5.75	13.37	10.75	90
	PN20	146	339.6	273	41
	250	5.5	14.25	10.75	108
	PN25	139.7	361.9	273	49
	300	5.75	14.25	10.75	112
	PN50	146	361.9	273	51
	600	8.38	15.75	10.75	230
	PN100	212.8	400	273	104
	900	9.5	17.12	10.75	288
	PN150	241.3	434.8	273	131
	1500	9.75	17.12	10.75	414
	PN250	247.6	434.8	273	188
	2500	10	18.75	10.78	360
	PN420	254	476.2	273.8	163
12"	125	7.12	16.12	12.75	163
	PN10	180.8	409.4	323.8	74
	150	7.12	16.12	12.75	157
	PN20	180.8	409.4	323.8	71.3
	250	7.12	16.62	12.75	175
	PN25	180.8	422.1	323.8	79.5
	300	7.12	16.62	12.75	175
	PN50	180.8	422.1	323.8	79.5
	600	9	18	12.75	310
	PN100	228.6	457.2	323.8	141
	900	11.5	19.62	12.75	370
	PN150	292.1	498.3	323.8	168
	1500	12	20.5	12.75	650
	PN250	304.8	520.7	323.8	295
	2500	12	21.62	12.75	470
	PN420	304.8	549.1	323.8	213

DIMENSIONS AND WEIGHTS

Size	CLASS	A	B	C	Weight LBS. KGS
14"	125	7.25	17.75	14	185
	PN10	184.1	450.8	355.6	84
	150	7.25	17.75	14	178
	PN20	184.1	450.8	355.6	81
	250	8.75	19.12	14	280
	PN25	222.2	485.6	355.6	127
	300	8.75	19.12	14	280
	PN50	222.2	485.6	355.6	127
	600	10.75	19.38	14	400
	PN100	273	492.2	355.6	182
	900	14	20.5	14	793
	PN150	355.6	520.7	355.6	360
	1500	14	22.75	14	978
	PN250	355.6	577.8	355.6	444
	2500	7.5	20.25	16	229
	16"	125	7.5	20.25	16
PN10		190.5	514.3	406.5	100
150		7.5	20.25	16	221
PN20		190.5	514.3	406.5	100
250		9.12	21.25	16	421
PN25		231.6	539.7	406.5	191
300		9.12	21.25	16	390
PN50		231.6	539.7	406.5	177
600		12	22.25	16	650
PN100		304.8	565.1	406.5	295
900		15.12	22.62	16	1010
PN100		384	574.5	406.5	458
1500		15.12	25.25	16	1398
PN100		384	641.3	406.5	635
2500		8	21.62	18	308
18"		PN10	203.2	549.1	457.2
	150	8	21.62	18	275
	PN20	203.2	549.1	457.2	125
	250	10.38	23.5	18	535
	PN25	263.6	596.9	457.2	243
	300	10.38	23.5	18	490
	PN50	263.6	596.9	457.2	223
	600	14.25	24.12	18	870
	PN100	361.9	612.6	457.2	395
	900	17.75	25.12	18	1350
	PN150	450.8	638	457.2	613
	1500	18.44	27.75	18	1955
	PN250	468.3	704.8	457.2	888