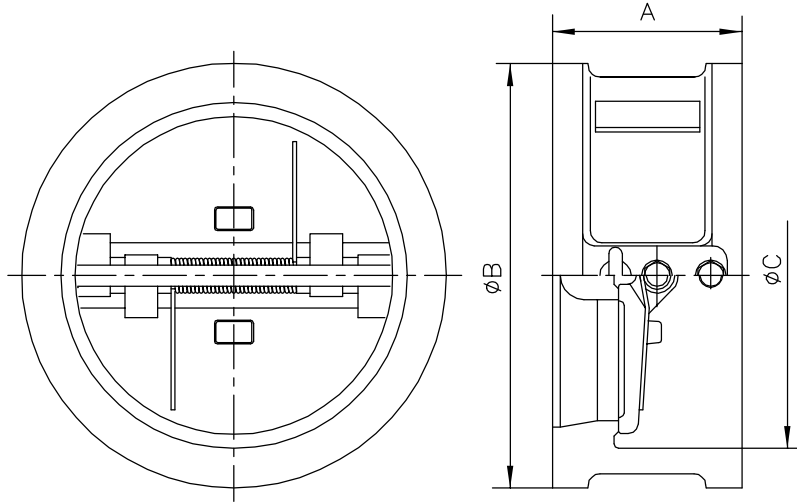


WAFER CHECK VALVES – CLASS 125~900#

Size range: 20" to 54"



STANDARDS:	
Design	API 6D & API 594
Test	API 598
Face to Face Dimensions	API 594
End Flange Dimensions	ANSI B16.5

DIMENSIONS AND WEIGHTS

Size	CLASS	A	B	C	Weight LBS. KGS
20"	125	8.38	23.87	20	383
	PN10	212.8	606.4	508	174
	150	8.62	23.87	20	342
	PN20	218.9	606.4	508	155
	250	11.5	25.75	20	771
	PN25	292.1	654	508	350
	300	11.5	25.75	20	710
	PN50	292.1	654	508	322
	600	14.5	26.87	20	1255
	PN100	368.3	682.5	508	570
24"	900	17.75	27.5	20	1525
	PN150	450.8	698.5	508	692
	125	8.75	28.25	24	529
	PN10	222.2	717.5	610	240
	150	8.75	28.25	24	502
	PN20	222.2	717.5	610	228
	250	12.5	30.5	24	1209
	PN25	317.5	774.7	610	549
	300	12.5	30.5	24	1110
	PN50	317.5	774.7	610	504
30"	600	17.25	31.12	24	1658
	PN100	438.1	790.4	610	757
	900	19.5	33	24	2750
	PN150	495.3	838.2	610	1249
	125	12	34.75	30	1130
	PN10	304.8	882.6	762	513
	150	12	34.75	30	1046
	PN20	304.8	882.6	762	475
	250	14.5	37.5	30	2220
	PN25	368.3	952.5	762	1008
30"	300	14.5	37.5	30	2037
	PN50	368.3	952.5	762	925
	600	19.88	38.25	30	3280
	PN100	504.9	971.5	762	1490

DIMENSIONS AND WEIGHTS

Size	CLASS	A	B	C	Weight LBS. KGS
36"	125	14.5	41.25	36	1672
	PN10	368.3	1047.7	914	759
	150	14.5	41.25	36	1553
	PN20	368.3	1047.7	914	705
	250	19	44	36	3685
	PN25	482.6	1117.6	914	1673
	300	19	44	36	3350
	PN50	482.6	1117.6	914	1521
	600	25	44.6	36	6210
	PN100	635	1132.8	914	2820
42"	125	17	48	42	2709
	PN10	431.8	1219.2	1067	1230
	150	17	48	42	2533
	PN20	431.8	1219.2	1067	1150
	250	22.38	50.75	42	6013
	PN25	568.4	1289	1067	2730
	300	22.38	(1) 50.75	42	5462
	PN50	568.4	(1) 1289	1067	2480
	600	27.61	(1) 52.75	42	9030
	PN100	701.3	(1) 1339.8	1067	4100
48"	125	20.62	54.5	48	3987
	PN10	523.7	1384.3	1219.2	1810
	150	20.62	54.5	48	3745
	PN20	523.7	1384.3	1219.2	1700
	250	24.75	58.75	48	7150
	PN25	628.6	1492.2	1219.2	3246
	300	24.75	(1) 53.88	48	6500
	PN50	628.6	(1) 1368.5	1219.2	2951
	125	23	61	54	5286
	PN10	584	1549	1372	2400
54"	150	23	(1) 57.5	54	4987
	PN20	584	(1) 1460	1372	2264

NOTE:

- 一、Data on other sizes and classes available under request.
- 二、(1)Dimensions to fit between flanges acc. to API 605.
- 三、Dimensions shown under class 125 are only for cast iron valves,
for any other material take dimensions and data as shown under class 150.