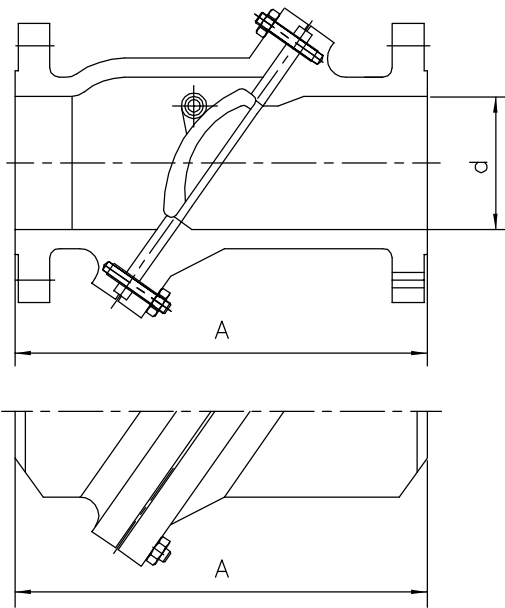


TILTING DISC VALVES—Class 900#, 1500#, 2500#

Size range: 2" to 10"



STANDARDS:	
Design	ANSI B16.34
Test	API 598
Face to Face Dimensions	ANSI B16.10
End Flange Dimensions	ANSI B16.5
Butt-Weld Ends	ANSI B16.25

Class 900# Fig NO. 7900-TD(RF/RTJ)
7900 1/2 -TD(BW)

DIMENSIONS

Size inch	d	A RF & BW
2"	47	368
3"	73	381
4"	98	457
6"	146	610
8"	191	737
10"	238	838
12"	282	965
14"	311	1029
16"	356	1130
18"	400	1219
20"	445	1321

Class 1500# Fig NO. 71500-TD(RF/RTJ)
71500 1/2 -TD(BW)

DIMENSIONS

Size inch	d	A RF & BW
2"	47	368
3"	70	470
4"	92	546
6"	136	705
8"	178	832
10"	222	991
12"	263	1130
14"	289	1257
16"	330	1384
18"	371	1537

Class 2500# Fig NO. 72500-TD(RF/RTJ)
72500 1/2 -TD(BW)

DIMENSIONS

Size inch	d	A RF & BW
2"	38	451
3"	57	578
4"	73	673
6"	111	914
8"	146	1022
10"	184	1270
12"	219	1422

Other Sizes: On request
RF: Flanged BW: Butt Weld

AVAILABLE OPTIONS:

STRUCTURE	End, Connection: Flange Raised Face, Butt Weld, RTJ...
	Seat Rings: Threaded (Renewable)
* MATERIALS	Body: WCB, WC1, WC6, WC9, LCB, LCC, LC3, C5, C12, CF8, CF8M, CF3, CF3M, CF8C...
	Trims: 13%Cr, 304, 304L, 316, 316L, 321, 347, F-51, Monel...

*Please refer to page of "Build Material"