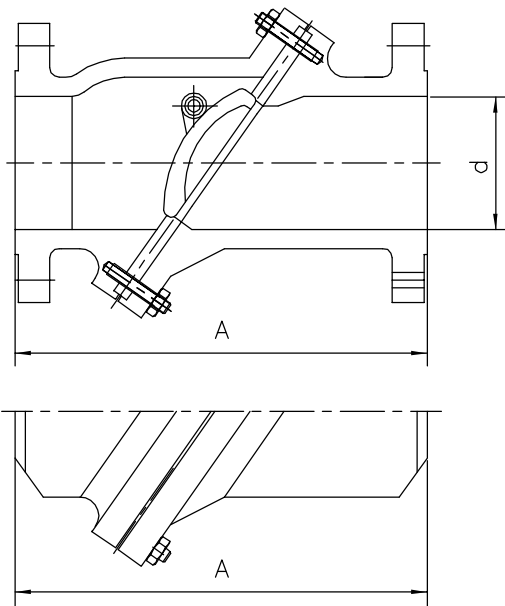


## TILTING DISC CHECK VALVE—Class 150#, 300#, 600#

Size range: 2" to 24"



### STANDARDS:

Design	ANSI B16.34
Test	API 598
Face to Face Dimensions	ANSI B16.10
End Flange Dimensions	ANSI B16.5
Butt-Weld Ends	ANSI B16.25

Class 150# Fig NO. 7150-TD(RF/RTJ)  
7150 1/2 -TD(BW)

### DIMENSIONS AND WEIGHTS

Size inch	d	A RF & BW	Weight (kg)(RF)
2"	51	203	16
3"	76	241	26
4"	102	292	46
6"	152	356	75
8"	203	495	124
10"	254	622	210
12"	305	699	335
14"	337	787	460
16"	387	864	690
18"	438	978	940
20"	489	978	1230
24"	591	1295	2010

Class 300# Fig NO. 7300-TD(RF/RTJ)  
7300 1/2 -TD(BW)

### DIMENSIONS AND WEIGHTS

Size inch	d	A RF & BW	Weight (kg)(RF)
2"	51	267	22
3"	76	318	41
4"	102	356	66
6"	152	445	122
8"	203	533	209
10"	254	622	350
12"	305	711	520
14"	337	838	760
16"	387	864	1080
18"	432	978	1570
20"	483	1016	1950
24"	584	1346	3220

Class 600# Fig NO. 7600-TD(RF/RTJ)  
7600 1/2 -TD(BW)

### DIMENSIONS AND WEIGHTS

Size inch	d	A RF & BW	Weight (kg)(RF)
2"	51	292	26
3"	76	356	51
4"	102	432	95
6"	152	559	190
8"	200	660	315
10"	248	787	500
12"	298	838	750
14"	327	889	1060
16"	375	991	1420
18"	419	1092	1910
20"	464	1194	2480
24"	559	1397	3960

Other Sizes: On request

RF: Flanged      BW: Butt Weld

### AVAILABLE OPTIONS:

STRUCTURE	End, Connection: Flange Raised Face, Butt Weld, RTJ...
	Seat Rings: Threaded (Renewable)
* MATERIALS	Body: WCB, WC1, WC6, WC9, LCB, LCC, LC3, C5, C12, CF8, CF8M, CF3, CF3M, CF8C...
	Trims: 13%Cr, 304, 304L, 316, 316L, 321, 347, F-51, Monel...

\*Please refer to page of "Build Material"