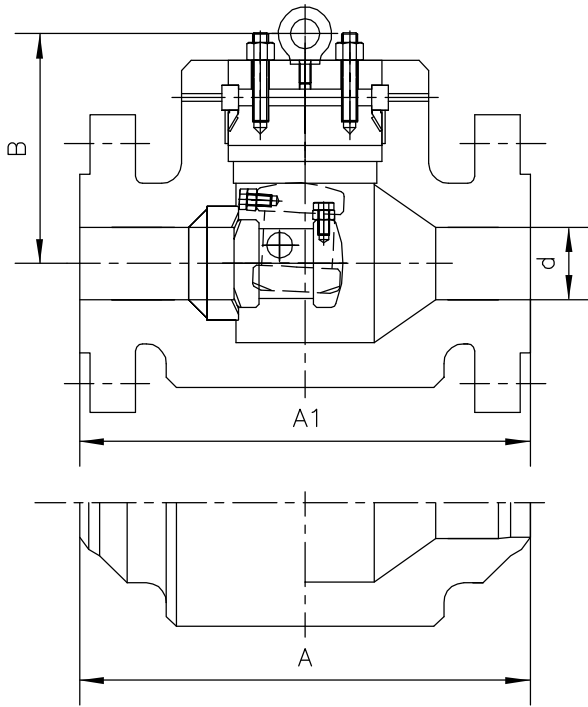


TILTING DISC CHECK VALVES—CLASS 600~ 900#

Size range: 2" to 30"



STANDARDS:	
Design	ANSI B16.34&BS 1868
Test	API 598
Face to Face Dimensions	ANSI B16.10
End Flange Dimensions	ANSI B16.5
Butt-Weld Ends	ANSI B16.25

Class 600# FIG 7600 PS-TL
DIMENSIONS AND WEIGHTS

Size inch	d	A (RF)	A (BW)	B	Weight (Kg)(BW)
2"	51	292	178	120	25
3"	76	356	254	148	45
4"	102	432	305	175	60
6"	152	559	457	202	102
8"	200	660	584	229	190
10"	248	787	711	280	280
12"	298	838	813	356	400
14"	327	889	889	397	577
16"	375	991	991	448	710
18"	419	1092	1092	505	987
20"	464	1194	1194	560	1210
24"	559	1397	1397	660	1800
30"	695	1651	1651	810	2850

Class 900# FIG 7900 PS-TL
DIMENSIONS AND WEIGHTS

Size inch	d	A (RF)	A (BW)	B	Weight (Kg)(BW)
2"	47	368	216	132	35
3"	73	381	305	153	60
4"	98	457	356	186	85
6"	146	610	508	221	125
8"	191	737	660	259	245
10"	238	838	787	315	347
12"	282	965	914	386	453
14"	311	1029	991	427	708
16"	356		1092	485	1020
18"	400		1219	542	1315
20"	445		1321	598	1723
24"	533		1549	705	2560

Other Sizes: On request BW: Butt Weld

AVAILABLE OPTIONS:

STRUCTURE	End, Connection: Flange Raised Face, Butt Weld, RTJ...
	Seat Rings: Threaded (Renewable), Welded
MATERIALS	Body: WCB, WC1, WC6, WC9, LCB, LCC, LC3, C5, C12, CF8, CF8M, CF3, CF3M, CF8C...
	Trims: 13%Cr, 304, 304L, 316, 316L, 321, 347, F-51, Monel...