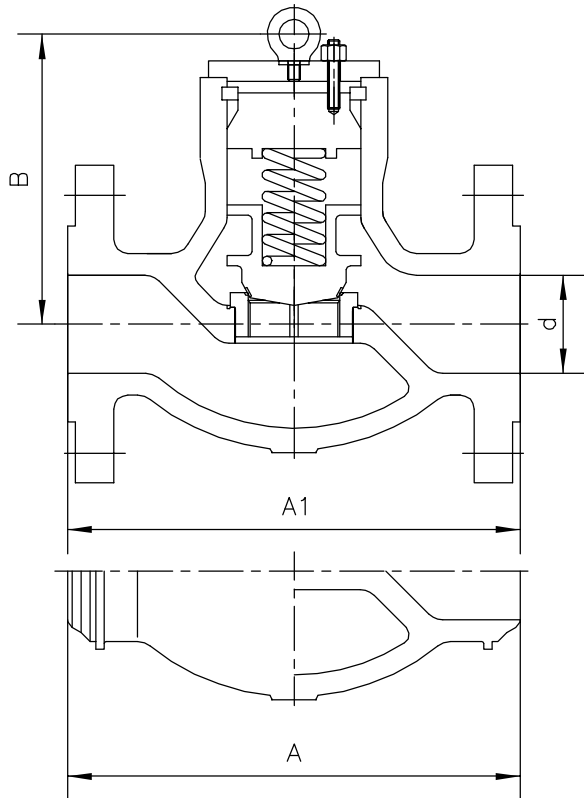


PISTON CHECK VALVES—CLASS 600~ 900#

Size range: 2" to 14"



STANDARDS:	
Design	ANSI B16.34&BS 1868
Test	API 598
Face to Face Dimensions	ANSI B16.10
End Flange Dimensions	ANSI B16.5
Butt-Weld Ends	ANSI B16.25

Class 600# FIG 7600 PS-PL
DIMENSIONS AND WEIGHTS

Size inch	d	A1 (RF)	A (BW)	B	Weight (Kg)(BW)
2"	51	292	178	175	12
3"	76	356	254	210	20
4"	102	432	305	248	38
6"	152	559	457	355	97
8"	200	660	584	396	192
10"	248	787	711	475	315
12"	298	838	813	555	475
14"	327		889	647	660

Class 900# FIG 7900 PS-PL
DIMENSIONS AND WEIGHTS

Size inch	d	A1 (RF)	A (BW)	B	Weight (Kg)(BW)
2"	47	368	216	205	15
3"	73	381	305	233	26
4"	98	457	356	270	44
6"	146	610	508	352	125
8"	191	737	660	426	255
10"	238	838	787	534	406
12"	282	965	914	645	612
14"	311	1029	991	764	850

Other Sizes: On request BW: Butt Weld

AVAILABLE OPTIONS:

STRUCTURE	End, Connection: Flange Raised Face, Butt Weld, RTJ...
	Seat Rings: Threaded (Renewable), Welded
MATERIALS	Body: WCB, WC1, WC6, WC9, LCB, LCC, LC3, C5, C12, CF8, CF8M, CF3, CF3M, CF8C...
	Trims: 13%Cr, 304, 304L, 316, 316L, 321, 347, F-51, Monel...