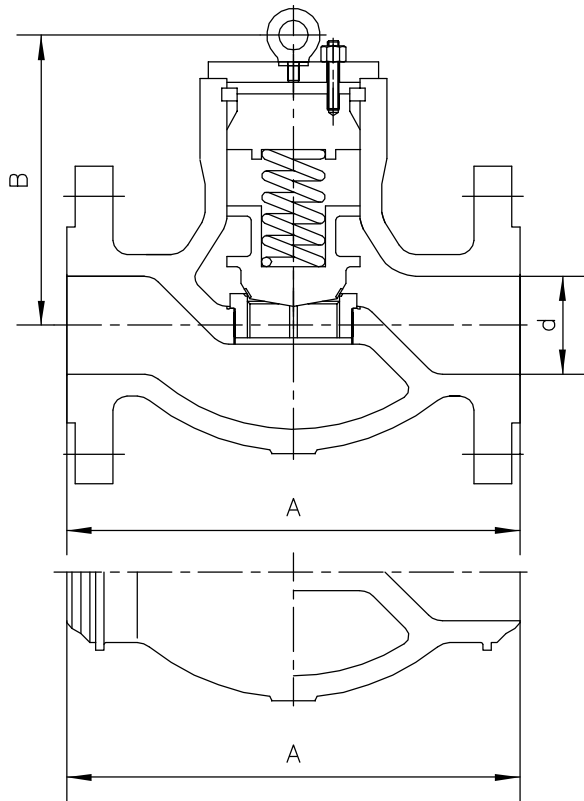


## PISTON CHECK VALVES—CLASS 1500~ 2500#

Size range: 2" to 12"



STANDARDS:	
Design	ANSI B16.34&BS 1868
Test	API 598
Face to Face Dimensions	ANSI B16.10
End Flange Dimensions	ANSI B16.5
Butt-Weld Ends	ANSI B16.25

Class 1500# FIG 71500 PS-PL  
DIMENSIONS AND WEIGHTS

Size inch	d	A (RF/BW)	B	Weight (Kg)(BW)
2"	47	216	205	15
3"	70	305	243	33
4"	92	406	250	64
6"	136	559	355	160
8"	178	711	513	327
10"	222	864	655	551
12"	263	991	810	815

Class 2500# FIG 72500 PS-PL  
DIMENSIONS AND WEIGHTS

Size inch	d	A (RF/BW)	B	Weight (Kg)(BW)
2"	38	279	224	20
3"	57	368	250	40
4"	73	457	264	83
6"	111	610	383	210
8"	146	762	470	425
10"	184	914	596	716
12"	219	1041	735	1060

Other Sizes: On request      BW: Butt Weld

AVAILABLE OPTIONS:

STRUCTURE	End, Connection: Flange Raised Face, Butt Weld, RTJ...
	Seat Rings: Threaded (Renewable), Welded
MATERIALS	Body: WCB, WC1, WC6, WC9, LCB, LCC, LC3, C5, C12, CF8, CF8M, CF3, CF3M, CF8C...
	Trims: 13%Cr, 304, 304L, 316, 316L, 321, 347, F-51, Monel...