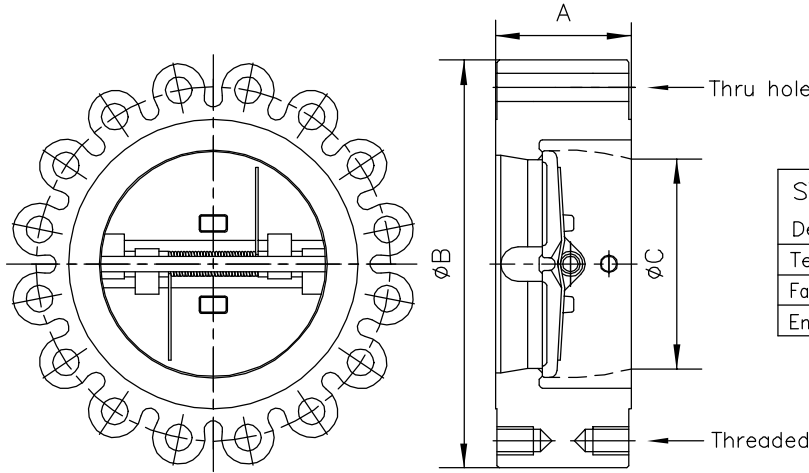


## LUG STYLE VALVES – CLASS 150~2500#

Size range: 2" to 24"



STANDARDS:	
Design	API 6D & API 594
Test	API 598
Face to Face Dimensions	API 594
End Flange Dimensions	ANSI B16.5

DIMENSIONS AND WEIGHTS

Size	CLASS	A	B	C	Weight LBS. KGS	
2"	150	2.375	6.5	1.938	17	
	PN20	60.3	165.1	49.2	8	
	300	2.375	6.5	1.938	18	
	PN50	60.3	165.1	49.2	8	
	600	2.375	6.5	1.938	18	
	PN100	60.3	165.1	49.2	8	
	900	2.75	8.5	1.688	37	
	PN150	69.85	215.9	42.9	17	
	1500	2.75	8.5	1.688	37	
	PN250	69.85	215.9	42.9	17	
2.5"	2500	2.75	9.25	1.688	48	
	PN420	69.85	235	42.9	22	
	150	2.625	7.5	2.344	17	
	PN20	66.68	190.5	59.53	8	
	300	2.625	7.5	2.344	22	
	PN50	66.68	190.5	59.53	10	
	600	2.625	7.5	2.344	22	
	PN100	66.68	190.5	59.53	10	
	3"	1500	2.875	8.25	2.91	17
		PN20	73	209.6	73.8	8
300		2.875	8.25	2.91	30	
PN50		73	209.6	73.8	14	
600		2.875	8.25	2.91	30	
PN100		73	209.6	73.8	14	
900		3.25	9.5	2.63	57	
PN150		82.55	241.3	66.7	26	
1500		3.25	10.5	2.63	70	
PN250		82.55	266.7	66.7	32	
4"	2500	3.375	12	2.63	93	
	PN420	85.73	304.8	66.7	42	
	150	2.875	9	3.83	28	
	PN20	73	228.6	97.2	13	
	300	2.875	10	3.83	36	
	PN50	73	254	97.2	16	
	600	3.125	10.75	3.83	50	
	PN100	79.4	273.1	97.2	23	
	900	4	11.5	3.44	98	
	PN150	101.6	292.1	87.3	45	
5"	1500	4	12.25	3.44	112	
	PN250	101.6	311.2	87.3	51	
	2500	4.125	14	3.44	152	
	PN420	104.78	355.6	87.3	69	
	150	3.375	10	4.81	36	
	PN20	85.7	254	122.2	16	
5"	300	3.375	11	4.81	51	
	PN50	85.7	279.4	122.2	23	

DIMENSIONS AND WEIGHTS

Size	CLASS	A	B	C	Weight LBS. KGS
6"	150	3.875	11	5.77	48
	PN20	98.4	279.4	146.5	22
	300	3.875	12.5	5.77	84
	PN50	98.4	317.5	146.5	38
	600	5.375	14	5.77	183
	PN100	136.5	355.6	146.5	83
	900	6.25	15	5.19	252
	PN150	158.8	381	131.76	114
	1500	6.25	15.5	5.19	262
	PN250	158.8	393.7	131.76	119
8"	2500	6.25	19	5.19	386
	PN420	158.8	482.6	131.76	175
	300	5	15	7.625	135
	PN50	127	381	193.7	61
	600	6.5	16.5	7.625	295
	PN100	165.1	419.1	193.7	134
	900	8.125	18.5	6.81	441
	PN150	206.4	470	173	200
	1500	8.125	19	6.81	488
	PN250	206.4	482.6	173	221
10"	2500	8.125	21.75	6.81	682
	PN420	206.4	552.5	173	309
	300	5.75	17.5	9.56	270
	PN50	146	444.5	242.9	123
	600	8.375	20	9.56	540
	PN100	212.73	508	242.9	245
	900	9.5	21.5	8.5	787
	PN150	241.3	546.1	215.9	357
	1500	9.75	23	8.5	917
	PN250	247.65	584.2	215.9	416
12"	2500	10	26.5	8.5	1233
	PN420	254	673.1	215.9	559
	1500	12	26.5	10.125	1425
	PN250	304.8	673.1	257.2	646
	2500	12	30	10.125	1881
	PN420	304.8	762	257.2	853
14"	1500	14	29.5	11.5	2045
	PN250	355.6	749.3	292.1	928
16"	1500	15.125	32.5	12.81	2600
	PN250	384.2	825.5	325.4	1179
18"	1500	18.44	36	13.75	3883
	PN250	468.3	914.4	349.3	1761
20"	1500	21	38.75	14.75	5700
	PN250	533.4	984.25	374.7	2580
24"	1500	22	46	15.125	7150
	PN250	558.8	1168.4	384.2	3236

Other dimensions same as water design.