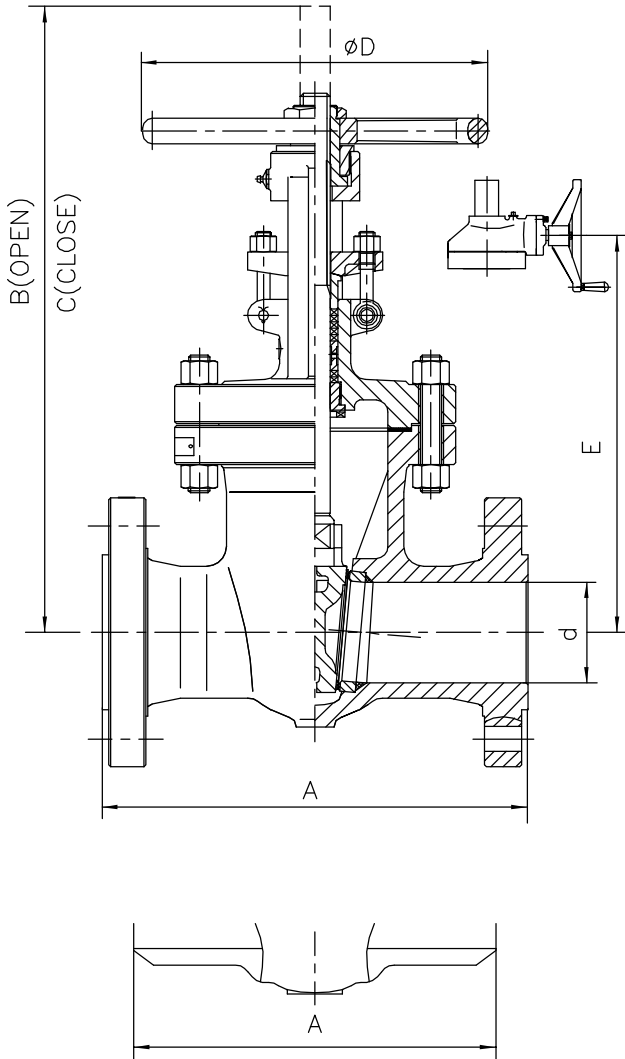


GATE VALVES—Class 600#

Size range: 2" to 54"



STANDARDS:

Design	ANSI B16.34&API 600
Test	API 598
Face to Face Dimensions	ANSI B16.10
End Flange Dimensions	ANSI B16.5(2" ~24")
	ANSI B16.47(30" ~42")
Butt-Weld Ends	ANSI B16.25

Class 600# Fig NO. 86RF/RTJ)
86 1/2 (BW)

DIMENSIONS AND WEIGHTS

Size inch	d	A RF & BW	B (OPEN)	C (CLOSE)	D	E	Weight(kg) RF & BW	
2"	51	292	418	355	216		41	35
3"	76	356	542	457	254		88	68
4"	102	432	647	533	310		131	104
6"	152	559	913	749	510		253	208
8"	200	660	1142	922	560		413	328
10"	248	787	1415	1143	700	1243	623	496
12"	298	838	1581	1262	700	1362	784	637
14"	327	889	1719	1371	900	1514	1288	1120
16"	375	991	1957	1560	1100	1703	1820	1448
18"	419	1092	2130	1690	1100	1833	2150	1828
20"	464	1194	2415	1918	1100	2111	2540	2201
24"	559	1397	2850	2260	1300	2453	4506	4212
30"	695	1651	3550	2794	1600	2983	7398	7085
36"	865	2083	4311	3396	1600	3589	12878	12640
42"	992	2431	4705	3650	1600	3843	15768	15200

Other Sizes and materials: On request

RF: Flanged BW: Butt Weld

Sizes 10" and larger the use of gear actuator is recommended.

AVAILABLE OPTIONS:

STRUCTURE	End Connection: Flange Raised Face, Butt Weld, RTJ...
	Seat Rings: Threaded (Renewable), Welded
	Operation: Handwheel, Gear, Electric, Pneumatic, Hydraulic...
* MATERIALS	Body: WCB, WC1, WC6, WC9, LCB, LCC, LC3, C5, C12, CF8, CF8M, CF3, CF3M, CF8C...
	Trims: 13%Cr, 304, 304L, 316, 316L, 321, 347, F-51, Monel...
ACCESSORIES	Limited switch, Sealing water connection, Bypass, Drain, Equalizing pipes and Etc.

*Please refer to page of "Build Material"