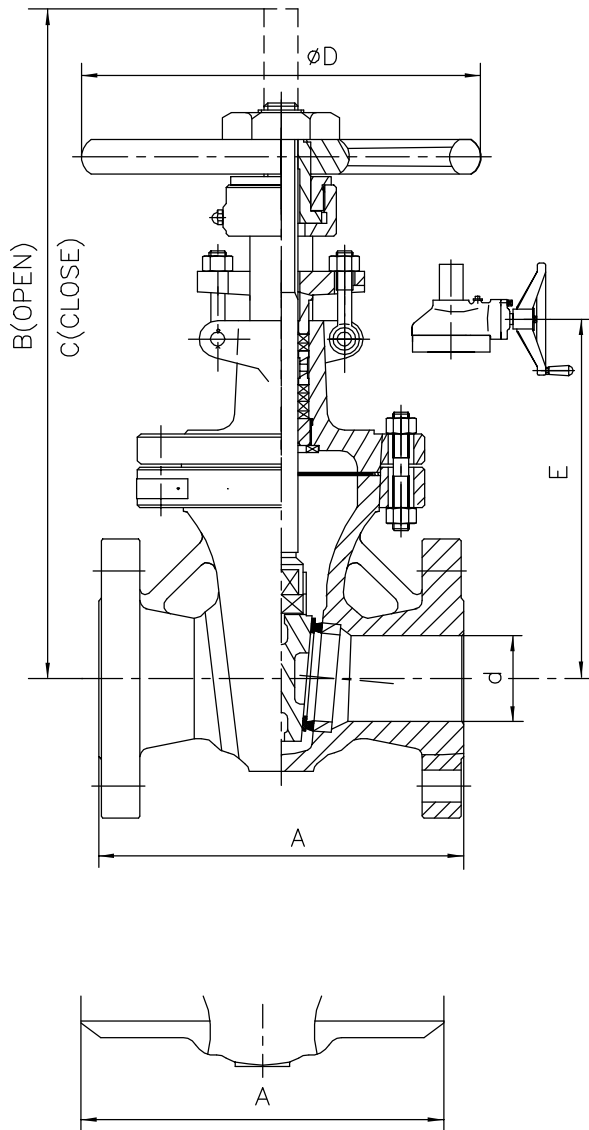


GATE VALVES—Class 300#

Size range: 2" to 54"



STANDARDS:

| | |
|-------------------------|------------------------|
| Design | ANSI B16.34&API 600 |
| Test | API 598 |
| Face to Face Dimensions | ANSI B16.10 |
| End Flange Dimensions | ANSI B16.5(2" ~ 24") |
| | ANSI B16.47(30" ~ 42") |
| Butt-Weld Ends | ANSI B16.25 |

Class 300# Fig NO. 43(RF/RTJ)
43 1/2 (BW)

DIMENSIONS AND WEIGHTS

| Size inch | d | A RF & BW | B (OPEN) | C (CLOSE) | D | E | Weight(kg) RF & BW | |
|--------------|------|--------------|-------------|--------------|------|------|-----------------------|------|
| 2" | 51 | 216 | 406 | 343 | 216 | | 30 | 26 |
| 3" | 76 | 283 | 495 | 411 | 228 | | 55 | 47 |
| 4" | 102 | 305 | 600 | 485 | 254 | | 83 | 68 |
| 6" | 152 | 403 | 831 | 660 | 380 | | 137 | 118 |
| 8" | 203 | 419 | 1035 | 815 | 460 | | 240 | 195 |
| 10" | 254 | 457 | 1285 | 1011 | 510 | | 333 | 271 |
| 12" | 305 | 502 | 1460 | 1135 | 560 | 1222 | 536 | 432 |
| 14" | 337 | 762 | 1646 | 1285 | 610 | 1372 | 699 | 595 |
| 16" | 387 | 838 | 1860 | 1448 | 700 | 1548 | 1010 | 848 |
| 18" | 432 | 914 | 2043 | 1575 | 700 | 1675 | 1205 | 1025 |
| 20" | 483 | 991 | 2298 | 1778 | 800 | 1878 | 1720 | 1460 |
| 24" | 584 | 1143 | 2752 | 2134 | 1100 | 2277 | 2506 | 2390 |
| 30" | 737 | 1397 | 3650 | 2870 | 1600 | 3013 | 4115 | 3900 |
| 36" | 890 | 1727 | 4150 | 3226 | 1600 | 3419 | 6849 | 6530 |
| 42" | 1016 | 1930 | 4508 | 3445 | 1600 | 3638 | 7925 | 7700 |

Other Sizes and materials: On request

RF: Flanged BW: Butt Weld

Sizes 12" and larger the use of gear actuator is recommended.

AVAILABLE OPTIONS:

| | |
|-------------|--|
| STRUCTURE | End Connection: Flange Raised Face, Butt Weld, RTJ... |
| | Seat Rings: Threaded (Renewable), Welded |
| | Operation: Handwheel, Gear, Electric, Pneumatic, Hydraulic... |
| * MATERIALS | Body: WCB, WC1, WC6, WC9, LCB, LCC, LC3, C5, C12, CF8, CF8M, CF3, CF3M, CF8C... |
| | Trims: 13%Cr, 304, 304L, 316, 316L, 321, 347, F-51, Monel... |
| ACCESSORIES | Limited switch, Sealing water connection, Bypass, Drain, Equalizing pipes and Etc. |

*Please refer to page of "Build Material"